

Ignition Transformers

- Safer, more durable insulation
- Excellent mechanical properties
- Superior electronics
- High temperature rating
- Effective heat dissipation
- Compact design
- Light weight
- Durable sealed construction
- Reliable operation
- 100% final tested



Ignition Transformer with Bracket Kit and Ignition Cable
(See Page 2 Accessories)

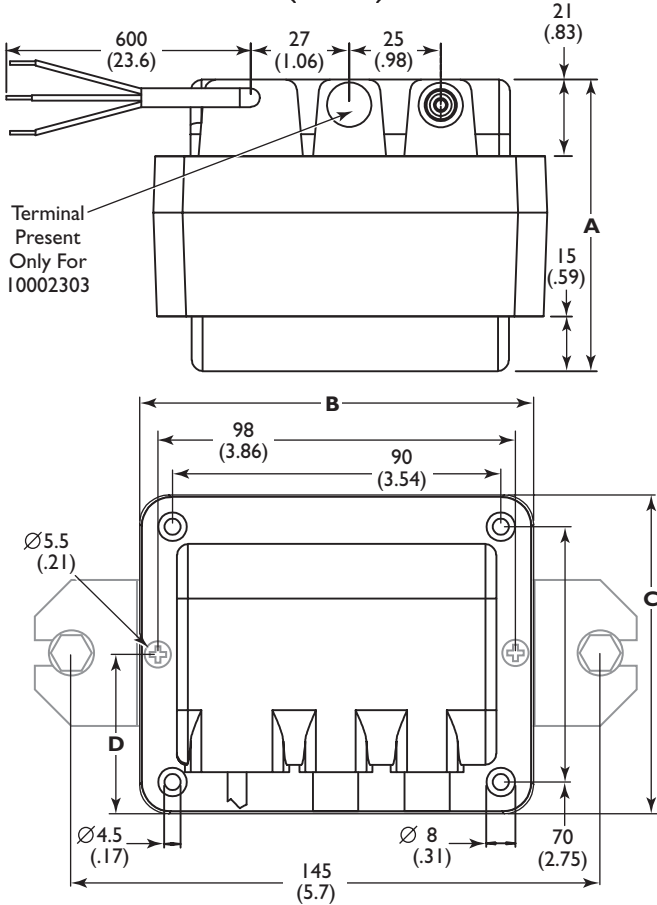
PARAMETER	22967	10002303	10002304	10005352	10012234
Primary Supply Voltage , VAC	120	120	120	220-240	110-120
Frequency , Hz	60	60	60	50-60	50-60
Primary Current, A	1.6	3.5	1.5	0.4	1.5
Power , VA	192	420	180	92	165
Secondary Voltage RMS [±10%], VAC	7000	2 x 5000	6000	6000	6000
Secondary Current RMS [±10%], mA	23	35	23	10	23
Secondary Ground Termination	End Pole	Center Tap	End Pole	End Pole	End Pole
Service Duty, % on-time /4 minutes	25%	25%	100%	100%	100%
Approvals	CE, cULus	CE, cULus	CE, cULus	CE	CE
Weight, kg (lbs)	1.9 (4.2)	2.8 (6.2)	2.8 (6.2)	1.9 (4.2)	2.8 (6.2)
Surface Material	Araldite Epoxy Resin				
Ambient Temp, °C (°F)	90 (194) Maximum -40 (-40) Minimum				

CE Standards: EN 61558/2/3, VDE 0550, SEV BA9, 73/23/EEC Low Voltage Directive, and meets 89/336/EEC Electromagnetic Compatibility, emission standards EN 50081-1 and EN 55014-1/A2 when used with suppression wire and filter p.n. 10005353.

Underwriters Laboratories listed as a recognized component, cURus, for the Canadian and USA markets.

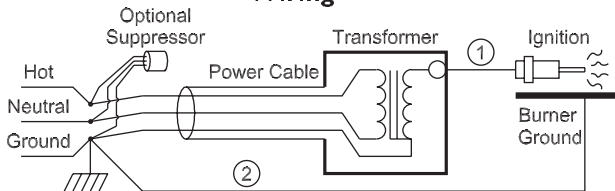
Dimensions & Specifications

Dimensions mm (inches)



Part Number	Dimensions mm (inches)			
	A	B	C	D
22967	65 (2.56)	106 (4.17)	86 (3.38)	43 (1.69)
10002303	80 (3.15)	108 (4.25)	87.4 (3.44)	43.7 (1.72)
10002304	80 (3.15)	108 (4.25)	87.4 (3.44)	43.7 (1.72)
10005352	65 (2.56)	106 (4.17)	86 (3.38)	43 (1.69)
10012234	80 (3.15)	108 (4.25)	87.4 (3.44)	43.7 (1.72)

Wiring



Power Supply	Transformer	Suppressor
Hot (110-120 / 220-240 V)	Black or Brown	Black
Neutral (0 V)	White or Blue	Black
Ground (0 V)	Green-Yellow	White

NOTES:

1. Keep as short as possible and keep away from other wiring.
2. Insure good conductance and short path from burner ground to the transformer ground wire.

Accessories

Part No.	Description	
20580	Kit, Bracket, Ignition Transformer, 40mm x 40mm, Consisting Of: Two Galvanized Brackets Two 5M x 50mm Iron Screw Two 5M x 4mm Iron Nut	
10013387	Cable, Ignition, 300mm Long (11.8"), Complete Cable Assembly, 7mm Dia. Suppression Wire Rated 20KV 4mm Diameter Straight Terminal Connector With Cap 6.3mm Diameter Right Angle Terminal Connector With Cover -50°C (-58°F) to 180°C (356°F)	
20581	Cable, Ignition, 1M Long (39.4"), Complete Cable Assembly, 7mm Dia. Suppression Wire Rated 20KV 4mm Diameter Straight Terminal Connector With Cap 6.3mm Diameter Right Angle Terminal Connector With Cover -50°C (-58°F) to 180°C (356°F)	
20603	Cable, Ignition, 3M Long (9.8"), Complete Cable Assembly, 7mm Dia. Suppression Wire Rated 20KV 4mm Diameter Straight Terminal Connector With Cap 6.3mm Diameter Right Angle Terminal Connector With Cover -50°C (-58°F) to 180°C (356°F)	
10005353	Suppressor, Emi Disturbance Suppression Filter for Ignition Transformer Primary	
10005354	Wire, ignition, Emi-Suppression, -50° to 180° C, 7mm Dia., Breakdown Voltage 20kV, Iso-Spec 3808/1 Clause 5.2.3	
10002352	Connector, Wire, 90 Degree with Spring, for Spark Electrode, 6.3mm Diameter, for 4.7-5.2-7mm Diameter Cable.	
10002353	Cap, Terminal, Wire, 90 Degree, Rubber, for Spark Electrode, for 4.7-5.2-7mm Diameter Cable.	
10002349	Connector, Wire, Straight, Output for Ignition Transformer, Phosphor Bronze, 4mm Diameter, for 4.7mm Diameter Cable (32756).	
10002351	Connector, Wire, Straight, Output for Ignition Transformer, Phosphor Bronze, 4mm Diameter, for 7mm Diameter Cable (10005354, 35443).	
10002354	Cap, Terminal, Wire, Straight, Rubber, L=35mm, Output for Ignition Transformer, for 4.7- 5.2-7mm Diameter Cable.	



Eclipse Combustion



Offered By:

Power Equipment Company
2011 Williamsburg Road
Richmond, Virginia 23231
Phone (804) 236-3800
Fax (804) 236-3882

www.peconet.com